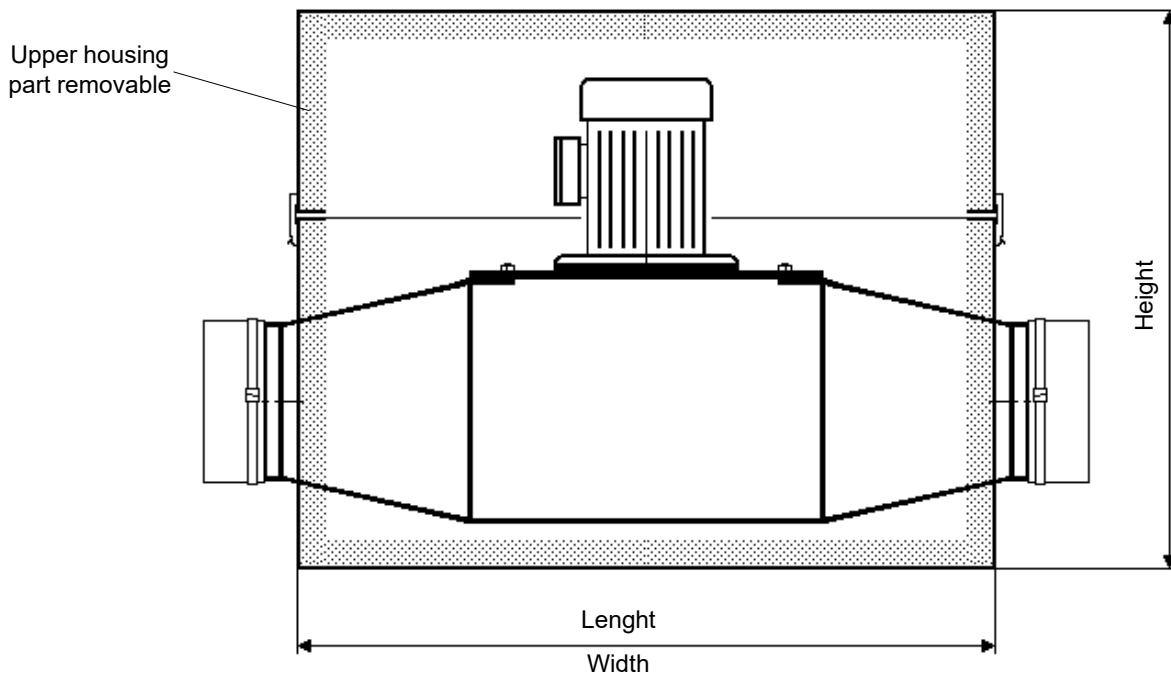


Soundproofing enclosure with self-ventilation für duct fan VRK



Fan type :

VRK ___ / 731 W ____

Sound pressure level at a distance of 3 m

$L_{3m} = \dots\dots\dots$ dB(A)

Motor: kW

Technische Angaben :

Insulation loss D_e at 250 Hz: 15 dB

Design in accordance with DIN EN ISO 15667 recommendations.

Construction: Housing made from plastic panels, offering outstanding corrosion resistance

Absorber made from 50 mm non-flammable mineral wool, laminated with glass fibre mat and covered with perforated panels

Housing consisting of two parts screwed together

Detachable roof with integrated cooling air outlet

Access to fan: Via the detachable roof, secured with quick-release latches

Wall material: PVC (RAL 7011) / PPs (RAL 7036) / PE (black)

Installation on steel bracket (with additional base)

Aufstellungsort: Innenaufstellung max. Umgebungstemperatur: °C

Ventilation via motor cooling fan. Cooling air routed via integrated silencer.

With cable leadthrough.

Dimensions: Length / Width / Hight approx. x x mm

Weight : approx. kg

Terms and conditions of delivery:

Price for shipping : EUR (net ex factory)

Delivery time: weeks (after clarification of all details)